

# AMP\_Dynamic\_Load\_Line

This test bench project shows a one tone swept power single frequency test bench set up for dynamic load line.

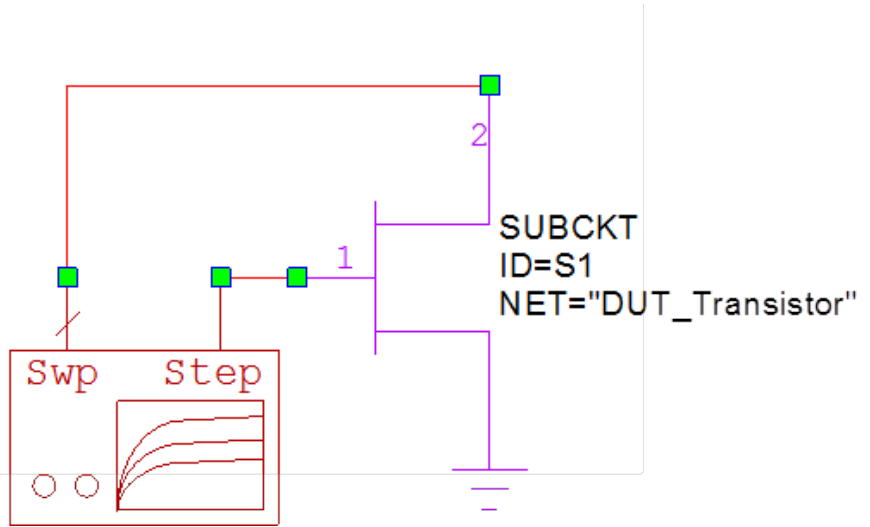
This test bench includes:

Schematics:

- AMP\_Dynamic\_Load\_Line\_IV

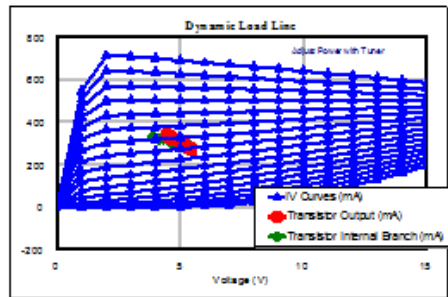
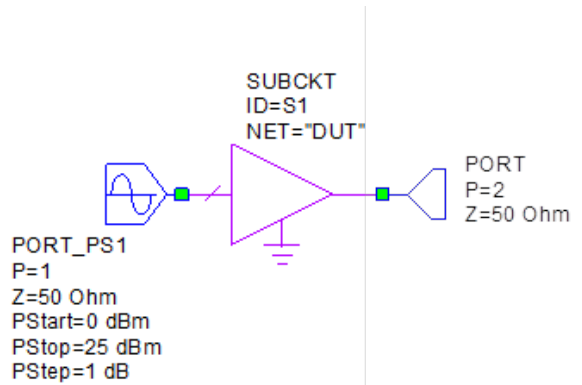
```

IVCURVE
ID=IV1
VSWEEP_start=0 V
VSWEEP_stop=15 V
VSWEEP_step=1 V
VSTEP_start=-3 V
VSTEP_stop=1 V
VSTEP_step=0.25 V
    
```



- AMP\_Dynamic\_Load\_Line - the test bench setup. Includes notes on where to change settings specific to your design

- Set frequency on schematic options. Right click on the schematic, select "Options". On the "Frequencies" tab, enter a single frequency.
- Harmonic settings are set to reasonable levels. Right click on schematic, select "Options". On the "Aplac Sim" tab, you can change tone 1 harmonics.
- Set power sweep here.



## Graphs

- [I\\_V Dynamic Load Line](#)
- [IVDLL Dynamic Load Line](#)

## Project Folders

- AMP\_Dynamic\_Load\_Line - Folder containing all the schematics, graphs and equations for this project.

## Importing the Test Bench

If you are unable to import the test bench automatically by clicking the Import test bench button above, click [Here](#) to do that manually.