

# MMIC\_Getting\_Started

## Where To Find This Example

Select **Help > Open Examples...** from the menus and type either the example name listed above or one of the keywords below.

Or in Version 13 or higher you can open the project directly from this page using this button. Make sure to select the **Enable Guided Help** before clicking this button.

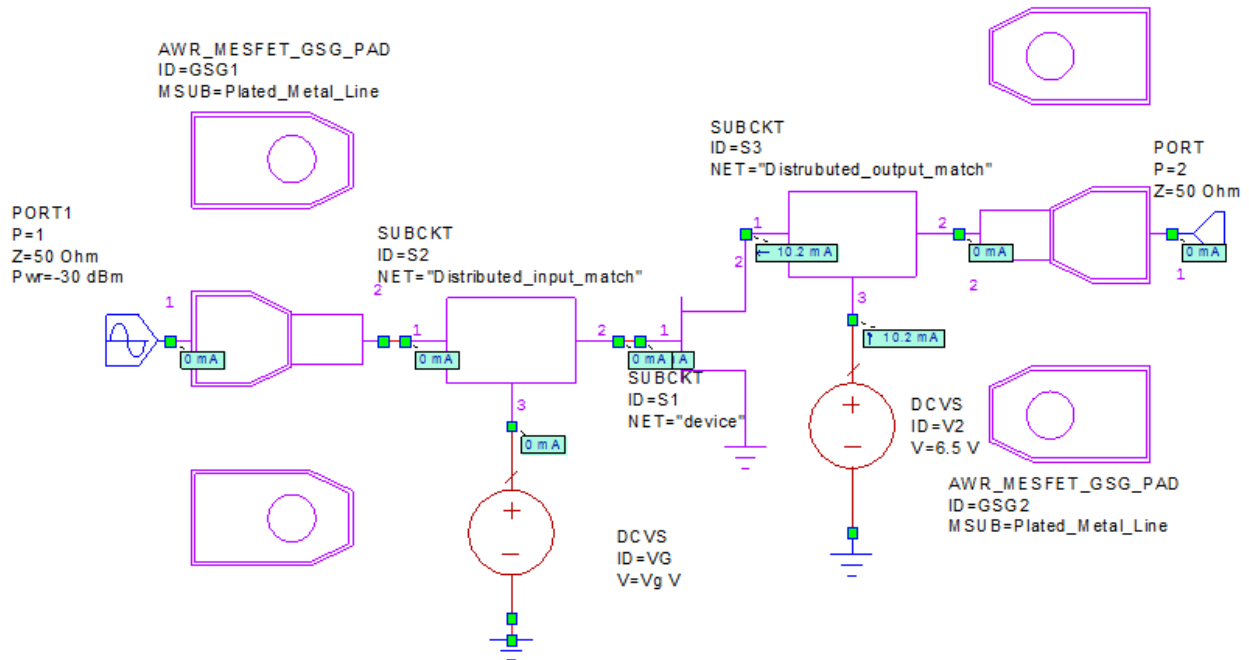
Open Install Example

## Design Notes

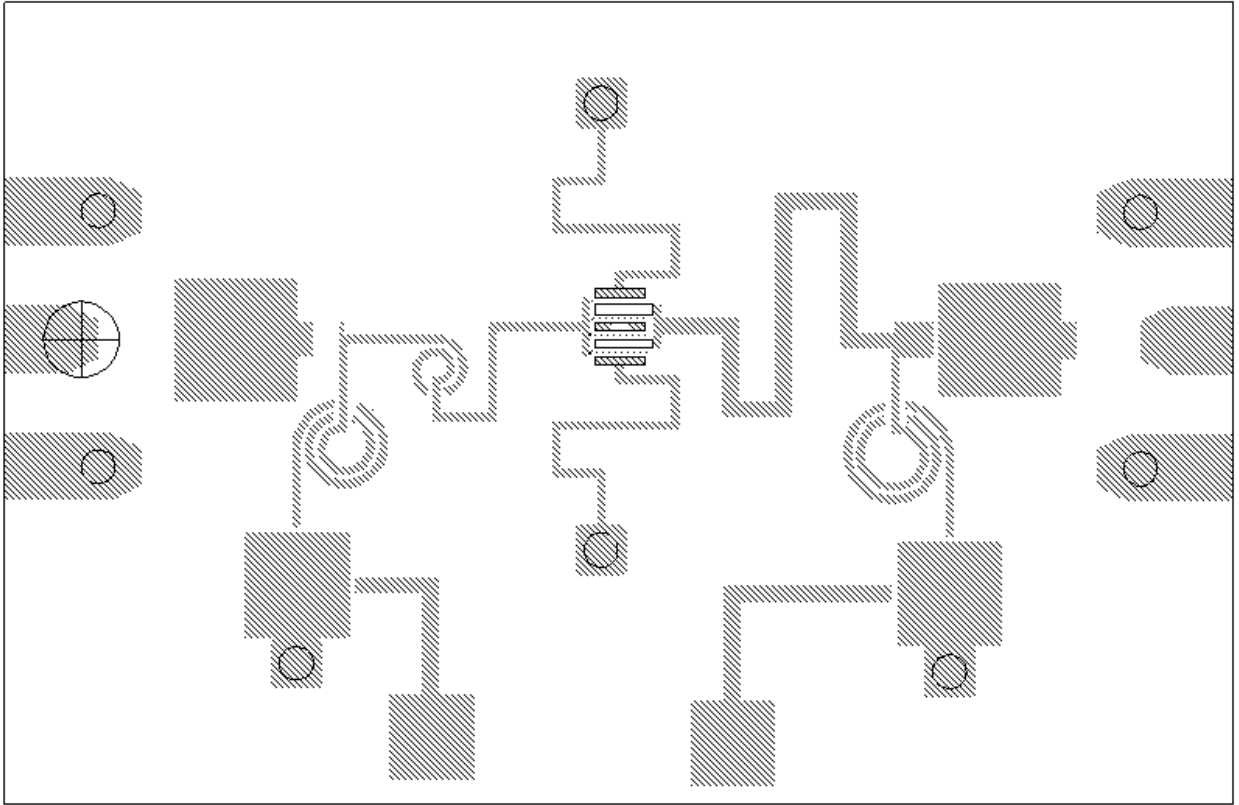
This example is used for the MMIC Getting Started Guide. Please refer to the Getting Started Guide. From the menu choose

**Help > Getting Started** to open the documentation. If you have not read any of our getting started material, you should start with chapters 1 through 7 and continue through chapters 12 through 16 to use this project. If you are familiar with the AWRDE and want to learn about MMIC features, please work through chapters 12 through 16. If you would like a printed copy of this guide, please contact your local sales manager.

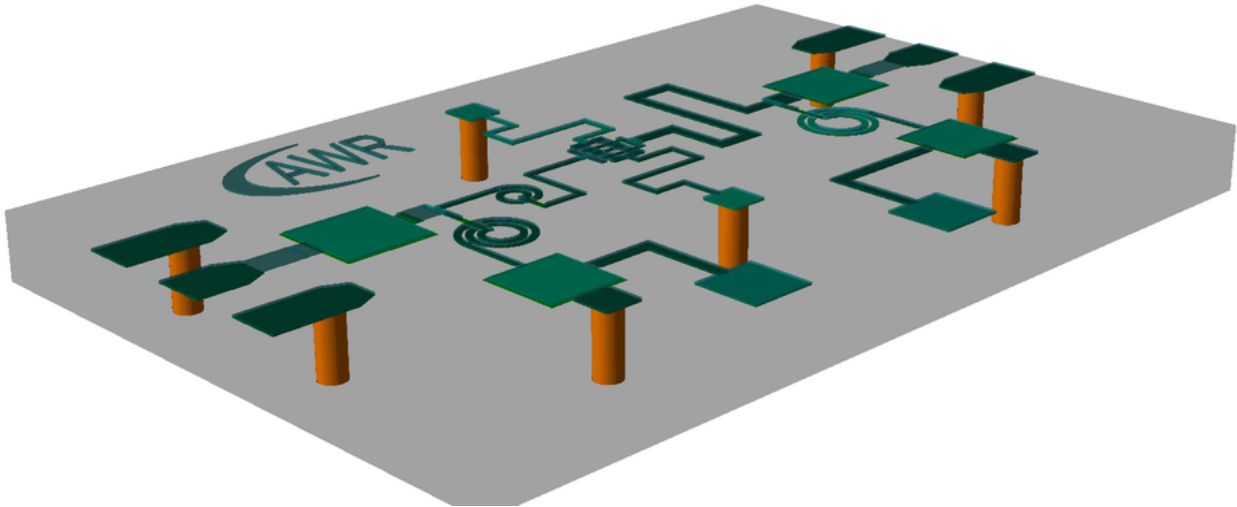
## Schematic - Distributed\_Design



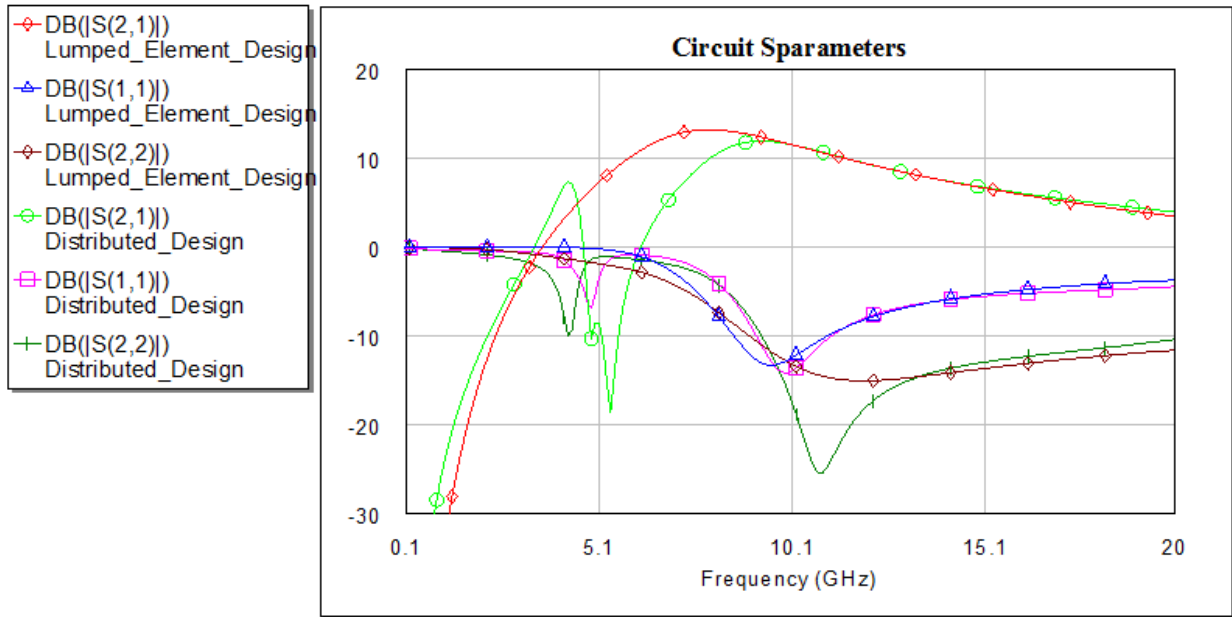
## Schematic Layout - Distributed\_Design



Schematic 3D Layout - Distributed\_Design



Graph - Circuit Sparameters



Graph - Circuit Noise Figure

