

# Enable and Remove Short Element

## To run this script

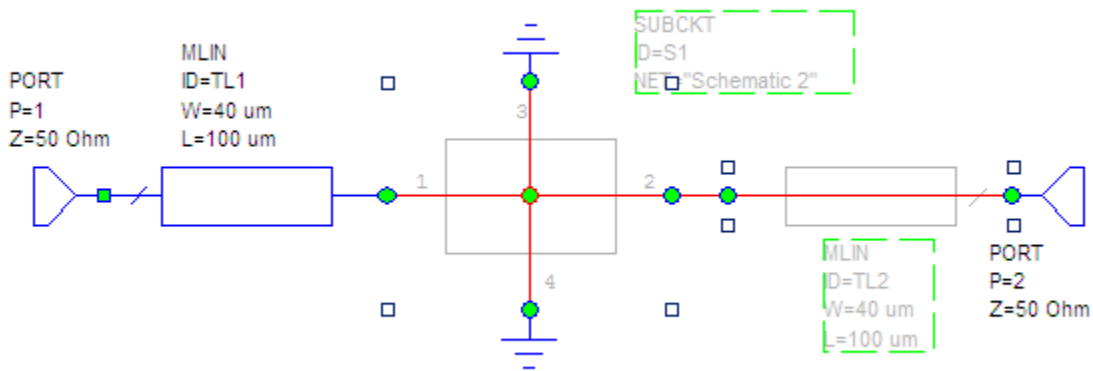
Select **Script Schematic Enable\_Remove\_Short** from the Menus.

Or, in versions that support the script, you can run the utility directly from this page using this button.

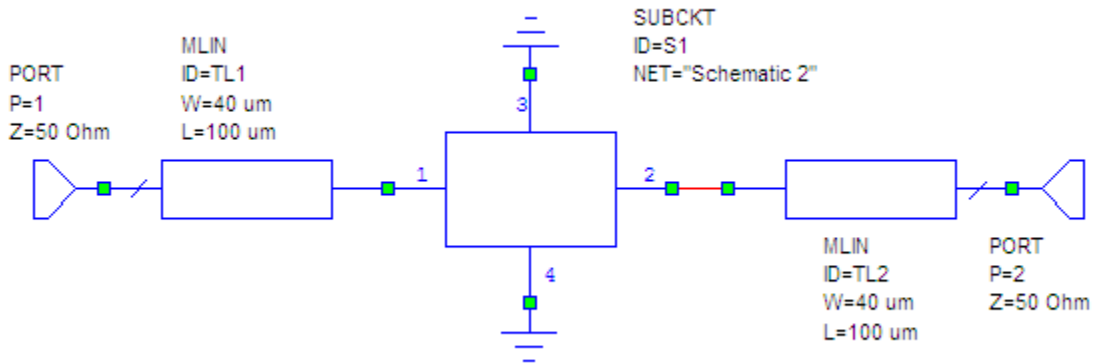
## Description

This script requires the user to first select models in a schematic or system diagram that had all nodes shorted. When the script is run, all models selected will be enabled and all wires shorting the nodes are removed. The "disable\_and\_short" does the opposite, so these are typically used together. These scripts are easiest to use if they are assigned to hotkeys.

For example, see the schematic with two models that were shorted are selected.



After the script is run, the schematic will look like below.



The [Disable and Short Element](#) script does the opposite command.