

AMP_Nonlinear_Noise

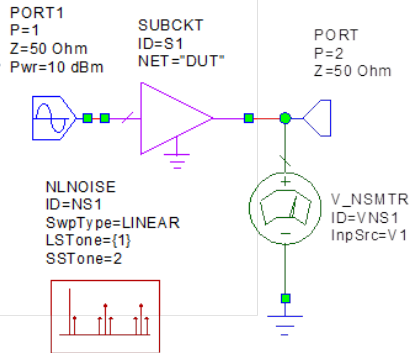
This test bench project shows nonlinear noise measurements versus frequency a single power

This test bench includes:

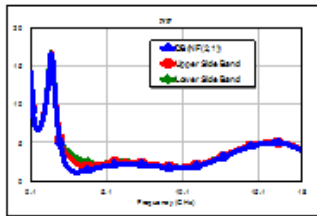
Schematic:

- AMP_Nonlinear_Noise - test bench setup: Change the settings for your design as indicated in the notes

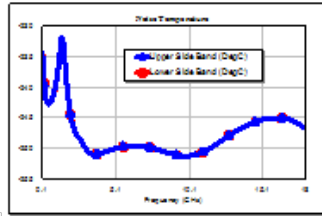
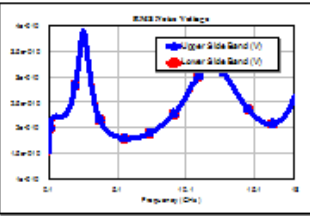
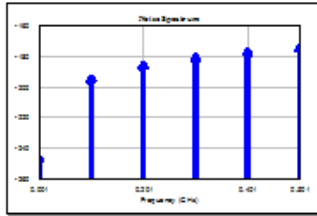
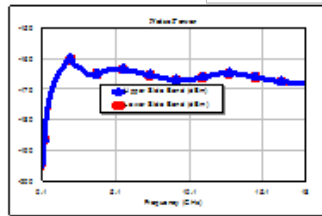
• Set frequency on schematic options, right click on the schematic, Select "Options". On the "Frequencies" tab, enter frequencies.
 • Harmonic settings are set to reasonable levels. Right click on schematic, select "Options". On the "Aplac Sim" tab, increase tone 1 until results don't change.
 • Set power level here.



AMP_Nonlinear_Noise_Display - embeds all graphs into one display



Noise Contributors All Contributions : page 1
 NL.NoiseCon[V_NSMTR.VNS1,1,2,1,1,1,-400][T,1]
 AMP_Nonlinear_Noise.AP_HB
 Text
 S11CURTICE3.CF1 (Flicker noise)
 S11CURTICE3.CF1 (Thermal noise)
 S11CURTICE3.CF1 (Total noise)
 S11MLEF.TL1 (Thermal noise)
 S11MLEF.TL1 (Total noise)
 S11MLEF.TL2 (Thermal noise)



Graphs

- NF - Nonlinear Noise
- NF_SSB0 - Nonlinear Noise Figure
- NF_SSBN - Nonlinear Noise Figure (IEEE Definition)
- Noise Contributors All Contributions - Noise Contributors All Contributions
- Noise Power - RMS Noise Power
- Noise Spectrum - Noise Spectrum Density at "Port To" Port
- Noise Temperature - Noise Temperature
- RMS Noise Voltage - RMS Noise Voltage in V/sqrt (Hz)

Project Folders

- AMP_Nonlinear_Noise - Folder containing all the schematics, graphs and equations for this project.

Importing the Test Bench

If you are unable to import the test bench automatically by clicking the Import test bench button above, click [Here](#) to do that manually.