

# IS95\_Signal\_Source\_OVRSMP

## Where To Find This Example

Select **Help > Open Examples...** from the menus and type either the example name listed above or one of the keywords below.

Or in Version 13 or higher you can open the project directly from this page using this button. Make sure to select the **Enable Guided Help** before clicking this button.

[Open Install Example](#)

## Design Notes

### IS95 Signal Source Workbench

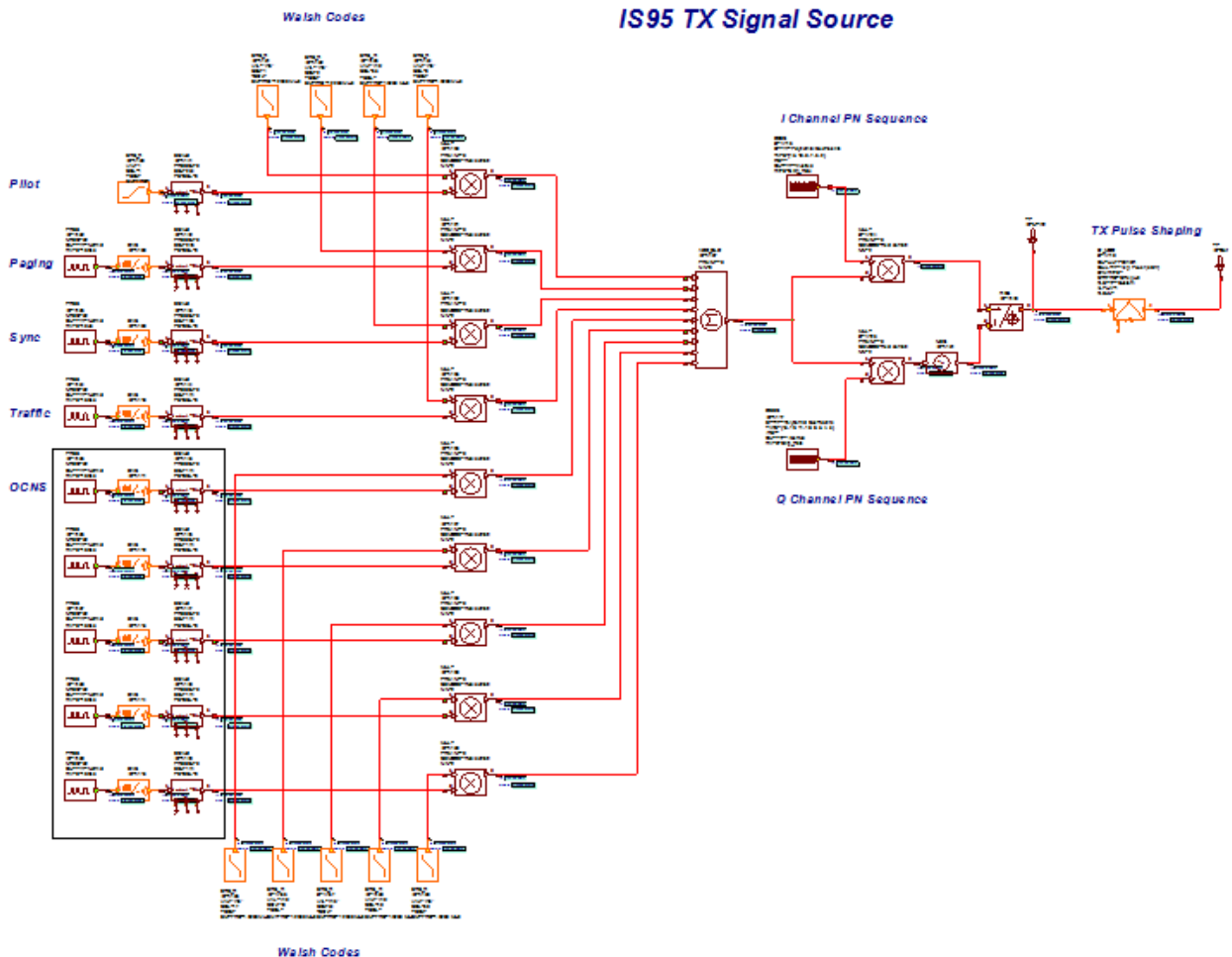
This example project creates the IS95 CDMA forward channel structure per the TIA-EIA 95 specification.

The pilot, paging, sync, traffic, or OCNS channels can be enabled or disabled by right clicking on them and selecting Toggle Enable. The relative power of each channel can be set by adjusting the SCL parameter in the SCALE block. Additionally, the data rate of the traffic channels can be set by adjusting the RATE parameter of the PRBS blocks.

The Walsh codes of length 64 are imported via the file "W64". The Walsh index is selected by adjusting the COL parameter of the SRC\_R blocks indicating the row number of the Walsh 64 matrix {1,2,3,...64}.

The TX filter coefficients are imported into the FIR filter by the data file "TX Filter coeffs" and conform to the specification. The oversampling rate can be set to 4, 8, 16, or 32 in which case the appropriate interpolated TX filter coefficient files "nX" are used.

## System Diagram - System Diagram 1



Graph - Spectrum

