

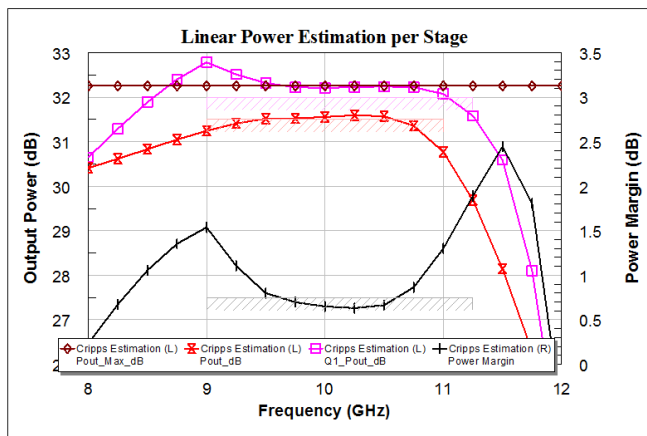
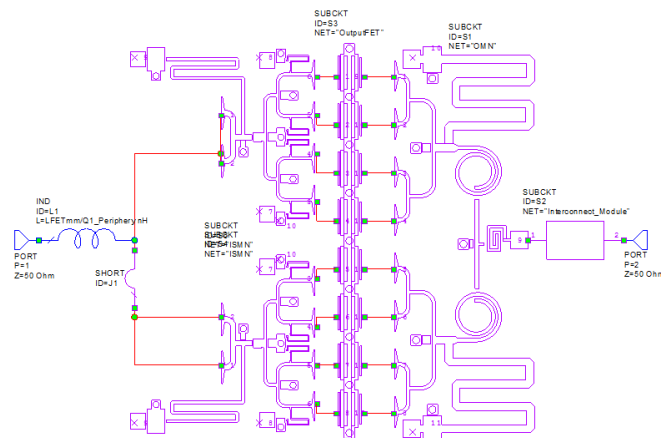
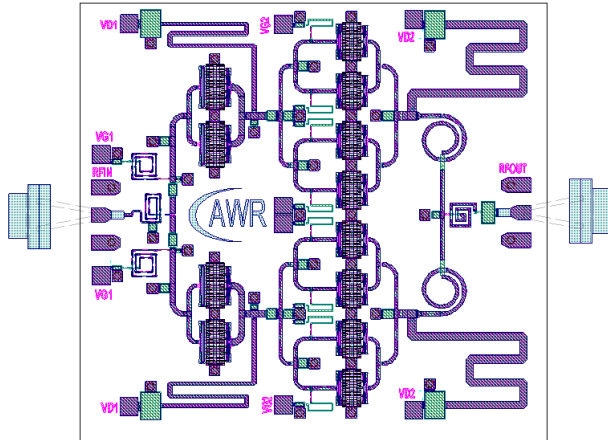
# Examples

Do you build matching networks? Check out the new [Network Synthesis Wizard in V14!](#)

## Search Only Example Content Below

[Search Tips](#)

The AWR Design Environment comes with over 400 examples projects. These are to help users see what is possible and how to do specific types of simulations. The AWR knowledgebase has one page per example provided to preview the example before you open it. Each page will have a description of the example and images that help explain what is in the example. Some sample images below for a power amplifier design.

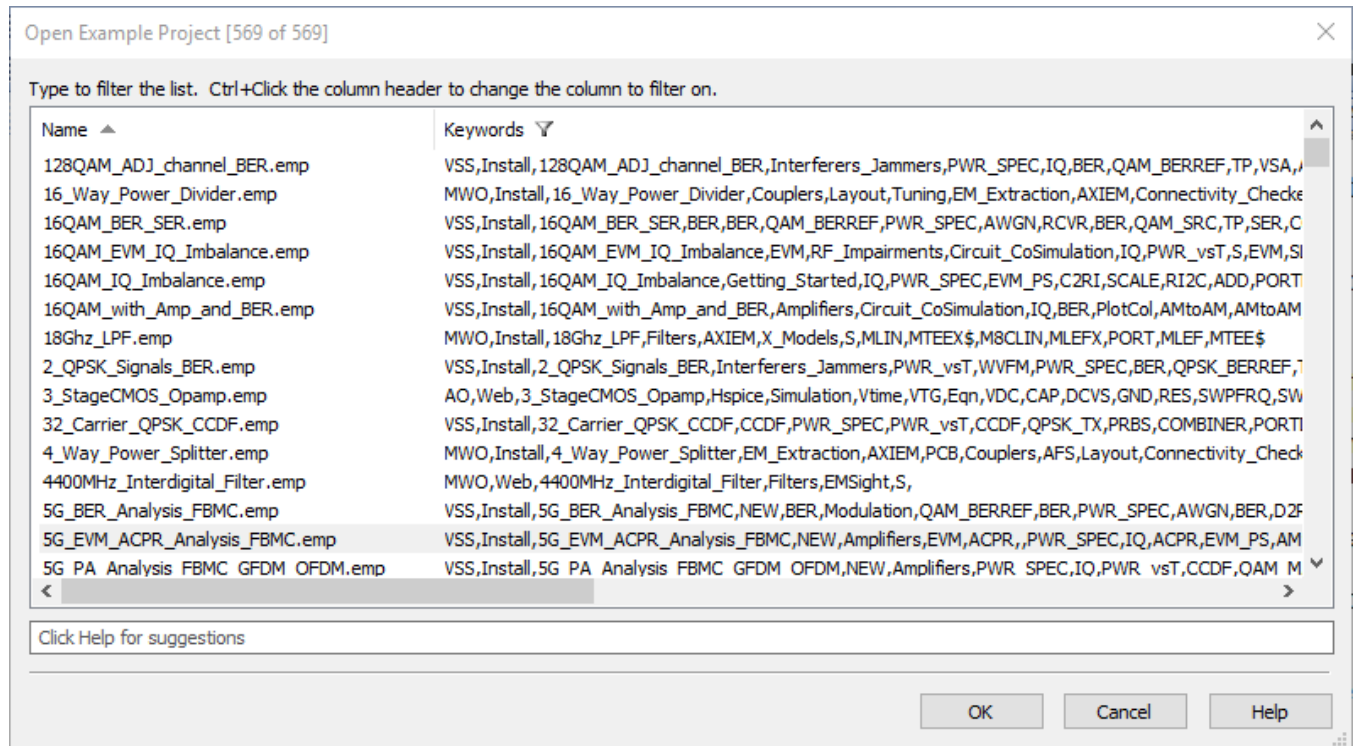


Each page will also have a button to either download or open the project. You can click the button to easily get that project open in the AWR Design Environment if you are on maintenance. Make sure to have the software open before clicking on the buttons. As an example, the button below will open the project for the images above

The sections below have the example pages organized by topic, most viewed, and recently updated. The side bar on this KB has the examples organized by major product line to allow browsing of the various examples. You can search the entire knowledgebase and filter the results to be from these examples.

## Finding Examples in the AWR Design Environment

When you are in the AWR Design Environment, use the **Help > Examples** menu to find examples from the software. The dialog that opens will filter based on the text that you type and there are many different keywords used for each example.



The screenshot shows a dialog box titled "Open Example Project [569 of 569]". It contains a table with two columns: "Name" and "Keywords". Below the table is a search bar with the text "Click Help for suggestions" and three buttons: "OK", "Cancel", and "Help".

Name ▲	Keywords ▼
128QAM_ADJ_channel_BER.emp	VSS,Install,128QAM_ADJ_channel_BER,Interferers_Jammers,PWR_SPEC,IQ,BER,QAM_BERREF,TP,VSA,
16_Way_Power_Divider.emp	MWO,Install,16_Way_Power_Divider,Couplers,Layout,Tuning,EM_Extraction,AXIEM,Connectivity_Checke
16QAM_BER_SER.emp	VSS,Install,16QAM_BER_SER,BER,BER,QAM_BERREF,PWR_SPEC,AWGN,R,CVR,BER,QAM_SRC,TP,SER,C
16QAM_EVM_IQ_Imbalance.emp	VSS,Install,16QAM_EVM_IQ_Imbalance,EVM,RF_Impairments,Circuit_CoSimulation,IQ,PWR_vsT,S,EVM,SI
16QAM_IQ_Imbalance.emp	VSS,Install,16QAM_IQ_Imbalance,Getting_Started,IQ,PWR_SPEC,EVM_PS,C2RI,SCALE,RI2C,ADD,PORT
16QAM_with_Amp_and_BER.emp	VSS,Install,16QAM_with_Amp_and_BER,Amplifiers,Circuit_CoSimulation,IQ,BER,PlotCol,AMtoAM,AMtoAM
18Ghz_LPF.emp	MWO,Install,18Ghz_LPF,Filters,AXIEM,X_Models,S,MLIN,MTEEX\$,M8CLIN,MLEFX,PORT,MLEF,MTEE\$
2_QPSK_Signals_BER.emp	VSS,Install,2_QPSK_Signals_BER,Interferers_Jammers,PWR_vsT,WVFM,PWR_SPEC,BER,QPSK_BERREF,7
3_StageCMOS_Opamp.emp	AO,Web,3_StageCMOS_Opamp,Hspice,Simulation,Vtime,VTG,Eqn,VDC,CAP,DCVS,GND,RES,SWPFRQ,SW
32_Carrier_QPSK_CCDF.emp	VSS,Install,32_Carrier_QPSK_CCDF,CCDF,PWR_SPEC,PWR_vsT,CCDF,QPSK_TX,PRBS,COMBINER,PORTI
4_Way_Power_Splitter.emp	MWO,Install,4_Way_Power_Splitter,EM_Extraction,AXIEM,PCB,Couplers,AFS,Layout,Connectivity_Check
4400MHz_Interdigital_Filter.emp	MWO,Web,4400MHz_Interdigital_Filter,Filters,EMSight,S,
5G_BER_Analysis_FBMC.emp	VSS,Install,5G_BER_Analysis_FBMC,NEW,BER,Modulation,QAM_BERREF,BER,PWR_SPEC,AWGN,BER,D2F
5G_EVM_ACPR_Analysis_FBMC.emp	VSS,Install,5G_EVM_ACPR_Analysis_FBMC,NEW,Amplifiers,EVM,ACPR,,PWR_SPEC,IQ,ACPR,EVM_PS,AM
5G_PA_Analysis_FBMC_GFDM_OFDM.emp	VSS,Install,5G_PA_Analysis_FBMC_GFDM_OFDM,NEW,Amplifiers,PWR_SPEC,IQ,PWR_vsT,CCDF,QAM M

Browse by topic

A	B-C	D	E-F
acpr adc_dac afs agc amplifiers analyst annotation anritsu antenna antsyn aplac_simulators autoports awr_mesfet_pdk awr_mmic_pdk axiem	ber bluetooth ccdf circuit_cosimulation coding compression configuration connectivity_checker constpout couplers cripps	data_access_component digital_fixed_point drc drill_holes dvb dvb_s	eigenmode em_extraction em_parameterization emsight equalizers equations evm extraction extraction_ports eye_diagrams filters fixed_point folders
G-H	I-L	M	N-O
generate_pdk geometry_simplification_rules getting_started gps graphs harmonic_balance hilbert_transform hspice	ifilter impedance_mismatch import_export_spectrum import_measured_data inets interferers_jammers is2000 is95 labview layout linear load_pull lte lut	marker_sweep matlab measurement_templates measurements mixer mixers mmic model_testers modeling modelithics models modulation modules mrhb multipath multiple_pdk multipliers	nbiot ndf new noise_contributors nonlinear_phase_noise npr optimization osc_s oscillators output_data_files
P-R	S-U	V-Z	0-9
parameterized_subcircuits pcb peak_to_average_ratio phase_noise phase_shifter pll ports predistortion radar rf_budget_analysis rf_examples rf_impairments rf_inspector	schematic_connectivity scripts shape_modifiers signal_integrity simulation stability step_color subsystem swept_variables switch_views temperature_dependent tuning user_attributes user_interface	via_fill vias vna_vsa_measurements vss_tips wcdma_hsdpa wcdma_hsdpa_conformance_tests wimax wlan x_models xdb yield_analysis zigbee	3d_em_extraction 3d_parts 5g

## Recently updated articles

[Double\\_Stub\\_EM\\_Optimization](#)

Sep 06, 2019 • updated by Ryan Welch • view change

[Examples](#)

May 22, 2019 • updated by AWR • view change

[Analyst\\_Milling\\_Machine\\_Analysis](#)

Mar 06, 2019 • updated by Ryan Welch • view change

[AMR\\_Example](#)

Mar 06, 2019 • updated by Ryan Welch • view change

[Examples](#)

Feb 18, 2019 • updated by Content Manager • view change

## Most Viewed Examples

### Content by label

There is no content with the specified labels



[Analyst\\_Field\\_Annotations](#)

Jan 25, 2019 • updated by Chase Hamilton • view change

[Dielectric\\_Resonator\\_Antenna](#)

Jan 10, 2019 • updated by Chase Hamilton • view change

[Digitally\\_Controlled\\_Capacitance](#)

Jan 08, 2019 • updated by Chase Hamilton • view change

[18Ghz\\_LPF](#)

Jan 08, 2019 • updated by Chase Hamilton • view change

[UHF\\_VHF\\_Power\\_Amplifier](#)

Jan 07, 2019 • updated by Chase Hamilton • view change

[Finite\\_Dielectric](#)

Jan 07, 2019 • updated by Chase Hamilton • view change

[Pyramid\\_Horn](#)

Jan 07, 2019 • updated by Chase Hamilton • view change

[Bond\\_Wires\\_and\\_Finite\\_Dielectrics](#)

Jan 07, 2019 • updated by Chase Hamilton • view change

[Conformal\\_Antenna](#)

Nov 02, 2018 • updated by Support User • view change

[Nonlinear\\_Amplifier\\_IP2H\\_Parameter](#)

Nov 02, 2018 • created by Support User